

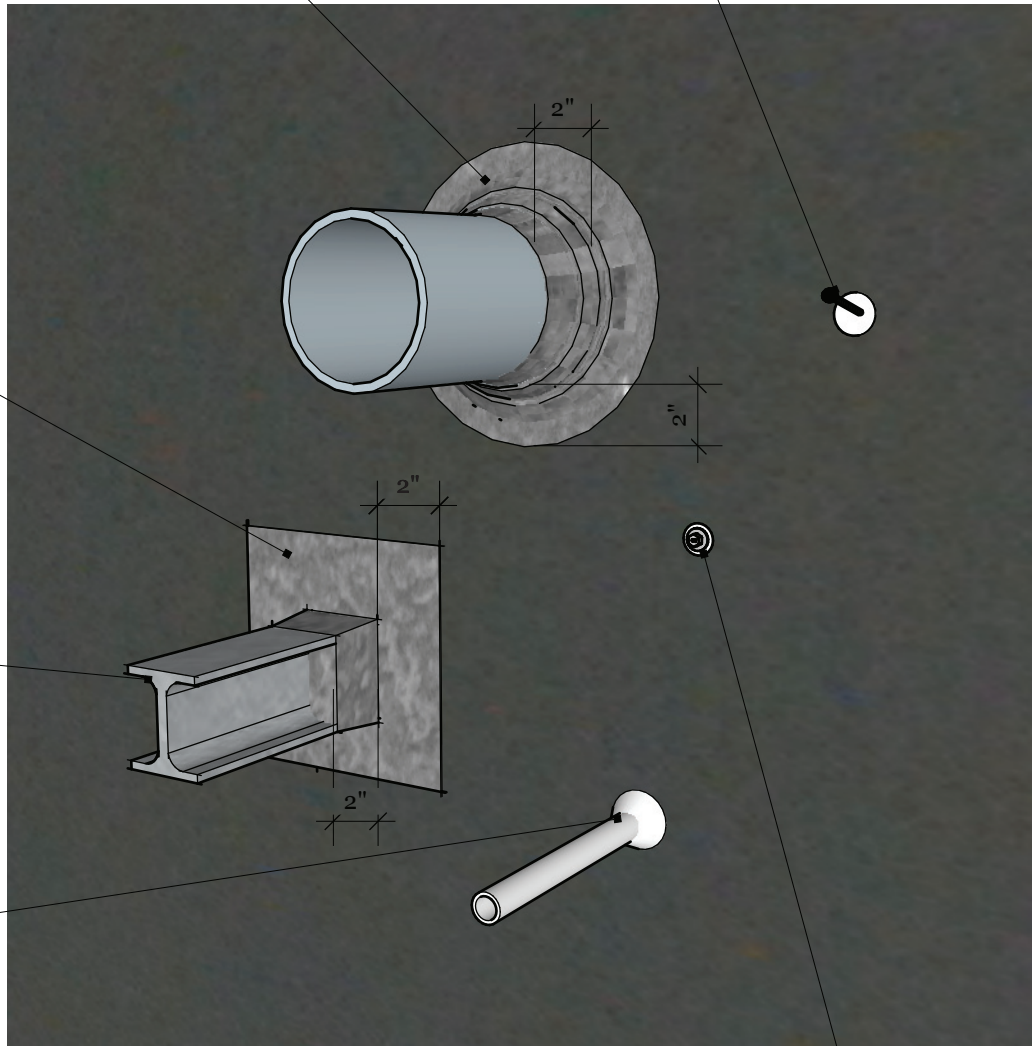
For Larger Penetrations, use VaproLiqui-Flash tooled at least 2" onto the face and 2" out along all sides of the penetration

Apply sufficient Dow 758 Sealant to completely seal fastener penetrations

Apply VaproLiqui-Flash to complex penetrations [i.e. structural elements] tooled evenly at least 2" onto the face and at least 2" out along all sides of the penetration [provide backing where needed or over 1/4" gap]

OK to apply VaproLiqui-Flash to damp substrate

Apply and lightly tool Dow 758 Sealant around smaller penetrations up to 1" in Diameter



Gasketed Fasteners typically require no additional sealing

REVEALSHIELD SA VAPROLIQUI-FLASH

DRAWN BY: AFG DATE: 06.17.2014

A Vapor permeable, water-resistive, UV stable, air barrier, self-adhered membrane for open joint cladding applications with VaproLiqui-Flash vapor permeable, liquid applied flashing for penetration interfaces.

DESCRIPTION:

RevealShield SA with VaproLiqui-Flash and RevealFlashing SA (Self-Adhered) creates a complete air barrier membrane system over gypsum or plywood sheathing, concrete, and CMU wall substrates.